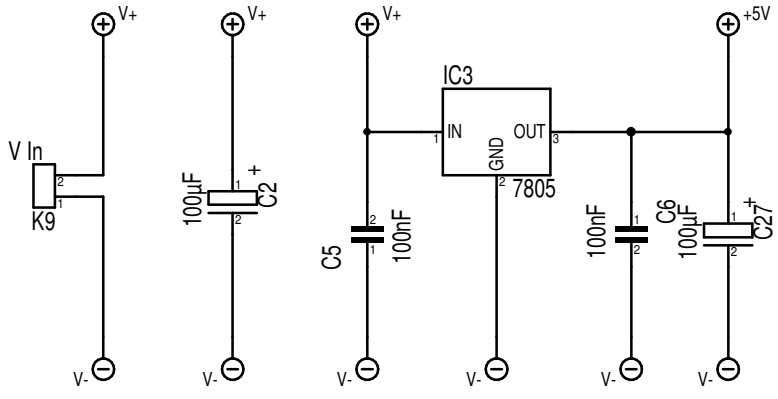
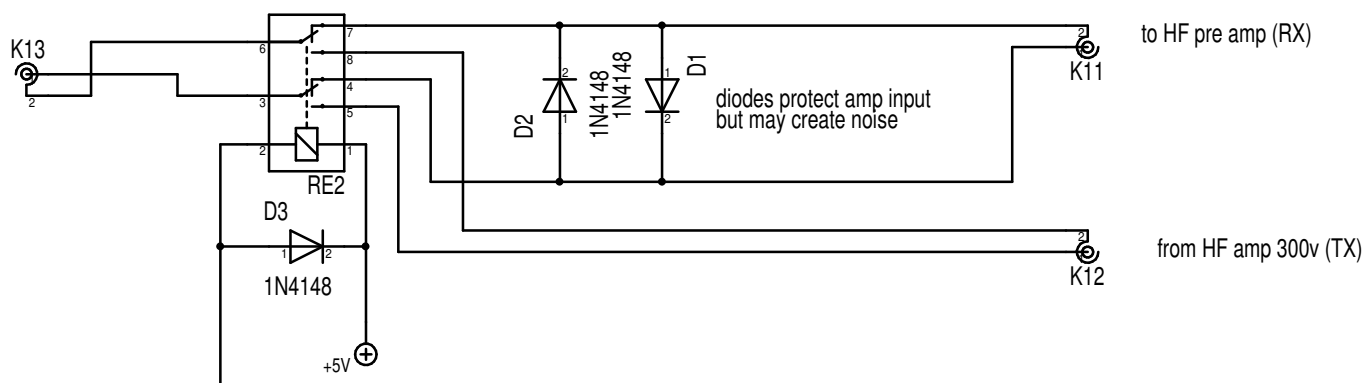


power supply



transducer switch

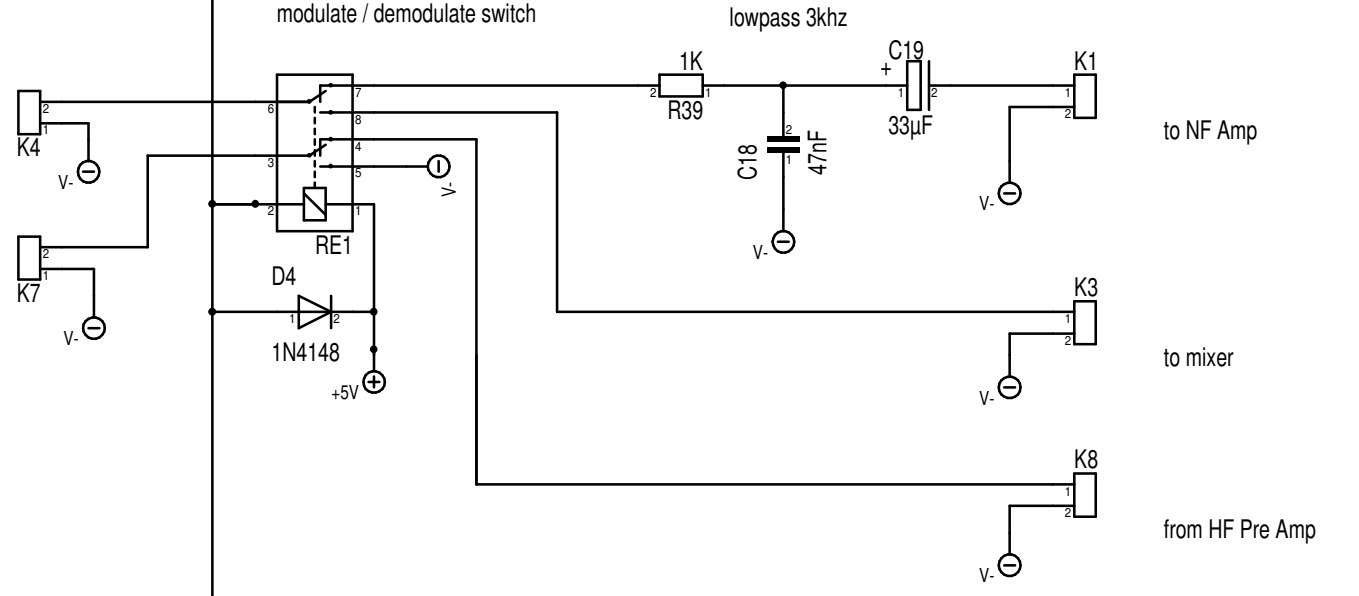
transducer in/out



modulate / demodulate switch

from LO HF

to LO Demod



mute signal for 300V HF amp

PTT

Mute HF Amp while RX

